

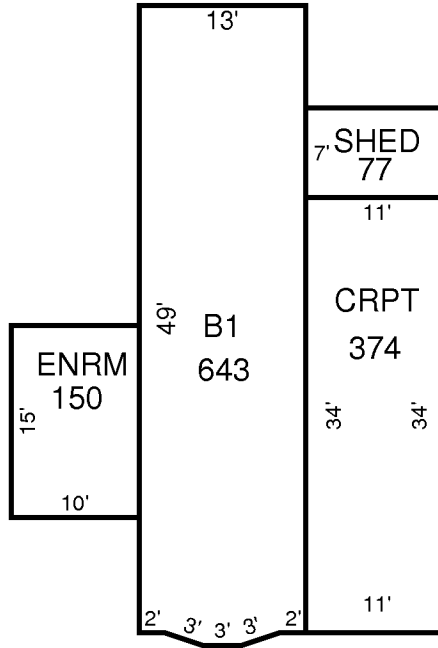
# SKETCH/AREA TABLE ADDENDUM

File No 3005194

SUBJECT

Property Address	30-38-10-00-12.A		
City	County	Brevard	State FL Zip
Owner			
Client	Client Address	7611 Boxelder	
Appraiser Name	David Smith	Inspection Date	Titusville

IMPROVEMENTS SKETCH



AREA CALCULATIONS

## AREA CALCULATIONS SUMMARY

Code	Description	Factor	Net Size	Perimeter	Net Totals
B1	B1	1.00	643	124	643
EP	ENRM	1.00	150	50	150
SP	SHED	1.00	77	36	77
CP	CRPT	1.00	374	90	374

## Comment Table 1

--	--

## Comment Table 2

--

## Comment Table 3

--