

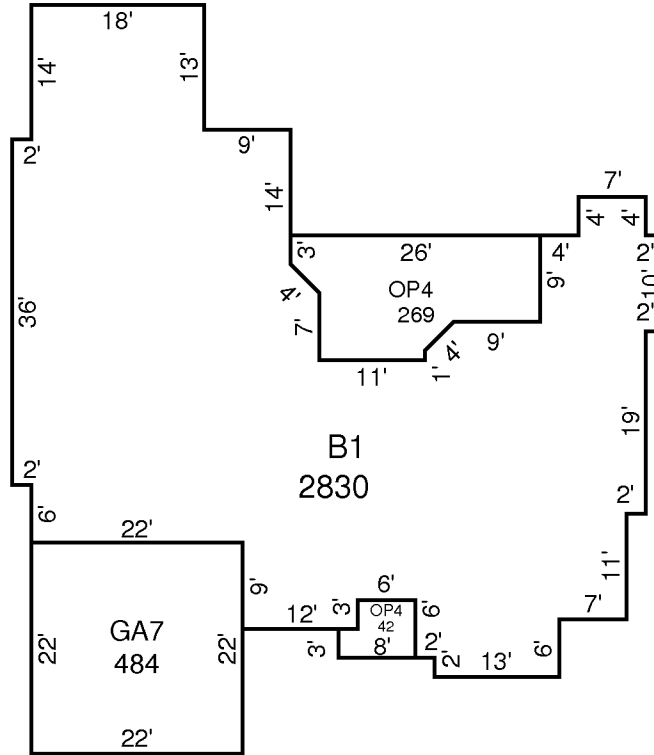
SKETCH/AREA TABLE ADDENDUM

File No 29590381

SUBJECT

Property Address 29-38-03-52-B-8	County BREVARD	State FL	Zip
City			
Owner SFR 3-2-00 OCOO94589 \$150,000			
Client	Client Address 4875 HAWKSBILL COURT		
Appraiser Name GLENN LEGGE	Inspection Date VIERA (PERMITS),		

IMPROVEMENTS SKETCH



DRAWN: GNL 4-17-00

AREA CALCULATIONS

AREA CALCULATIONS SUMMARY					
Code	Description	Factor	Net Size	Perimeter	Net Totals
B1	B1-100	1.00	2830	312	2830
GA7	GA-60	1.00	484	88	484
OP4	OP-30	1.00	42	28	
	OP-30	1.00	269	74	311

--	--