

# SKETCH/AREA TABLE ADDENDUM

Parcel No 2-2-05

File No 2947808-1

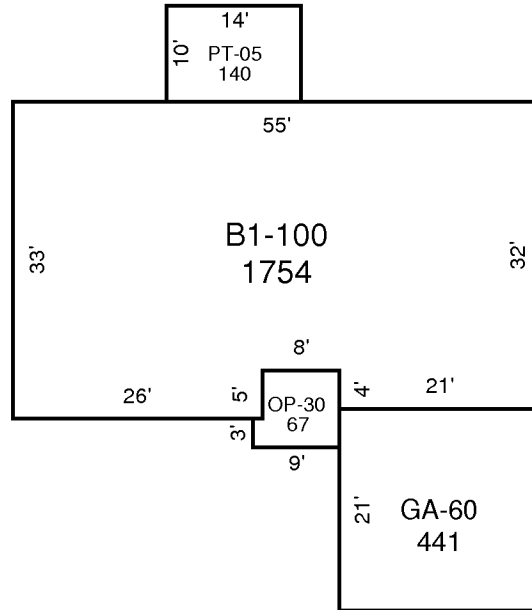
Property Address 29 3731GV 1304 9

City \_\_\_\_\_ County **Brevard** State **FL** Zip \_\_\_\_\_

Owner **PB04006909**

Client \_\_\_\_\_

Appraiser Name **Maria Becht** Inspection Date **Viera**



## AREA CALCULATIONS SUMMARY

Code	Description	Factor	Net Size	Perimeter	Net Totals
B1	B1-100	1.00	1754	184	1754
GA7	GA-60	1.00	441	84	441
OP4	OP-30	1.00	67	34	67
PT	PT-05	1.00	140	48	140

### Comment Table 1

--

### Comment Table 2

--

### Comment Table 3

--