

# SKETCH/AREA TABLE ADDENDUM

File No 2937632

SUBJECT

Property Address 29-37-18-JR-2672-11

City PALMBAY

County BREVARD

State FL

Zip

Owner PB0301377

Client

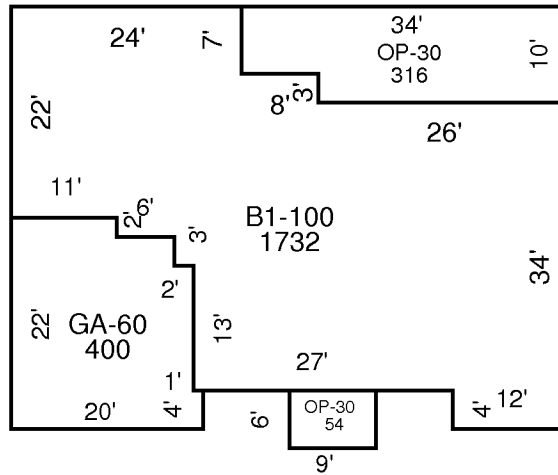
Client Address 200 HAMMOCK RD SE

Appraiser Name JOHN T

Inspection Date VIERA

3/27/2003

IMPROVEMENTS SKETCH



AREA CALCULATIONS

## AREA CALCULATIONS SUMMARY

Code	Description	Factor	Net Size	Perimeter	Net Totals
B1	B1-100	1.00	1732	204	1732
GA7	GA-60	1.00	400	84	400
OP6	OP-30	1.00	54	30	
	OP-30	1.00	316	88	370