

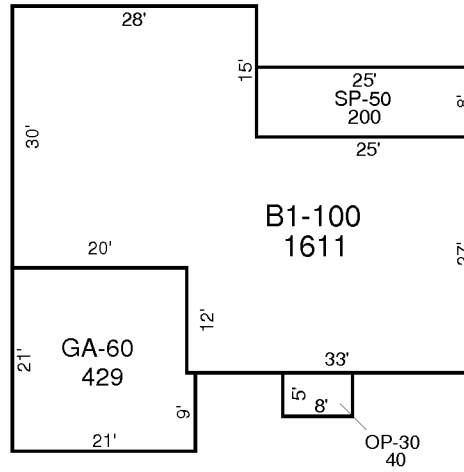
SKETCH/AREA TABLE ADDENDUM

File No 2901407

SUBJECT

Property Address	29-36-02-GI-985-2		
City	PALM BAY	County	Brevard
		State	FL
Owner	PB4013077		
Client		Client Address	235 WENDOVER RD SW
Appraiser Name	Wayne Ingram	Inspection Date	Palm Bay

IMPROVEMENTS SKETCH



AREA CALCULATIONS

AREA CALCULATIONS SUMMARY					
Code	Description	Factor	Net Size	Perimeter	Net Totals
B1	B1-100	1.00	1611	190	1611
GA7	GA-60	1.00	429	84	429
OP4	OP-30	1.00	40	26	40
SP6	SP-50	1.00	200	66	200

Comment Table 1	
Comment Table 2	Comment Table 3