

SKETCH/AREA TABLE ADDENDUM

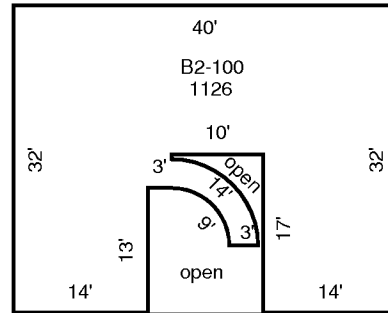
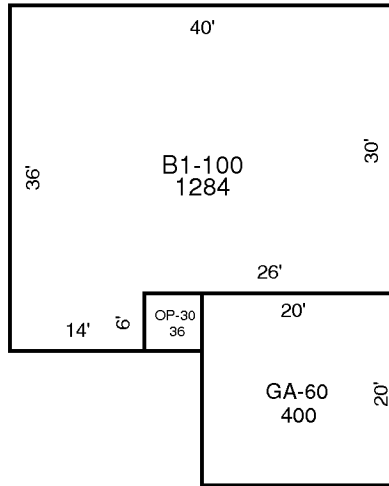
File No 2859032

SUBJECT

Property Address **28-37-07-27- -149**
 City **W.MELBOURNE** County **BREVARD** State **FL** Zip
 Owner **MV0200385**
 Client Client Address **639 ANCHOR LA**
 Appraiser Name **JOHN T** Inspection Date **VIERA**

12/20/2001

IMPROVEMENTS SKETCH



AREA CALCULATIONS

AREA CALCULATIONS SUMMARY

Code	Description	Factor	Net Size	Perimeter	Net Totals
B1	B1-100	1.00	1284	152	1284
B2	B2-100	1.00	1126	201	1126
GA7	GA-60	1.00	400	80	400
OP4	OP-30	1.00	36	24	36