

SKETCH/AREA TABLE ADDENDUM

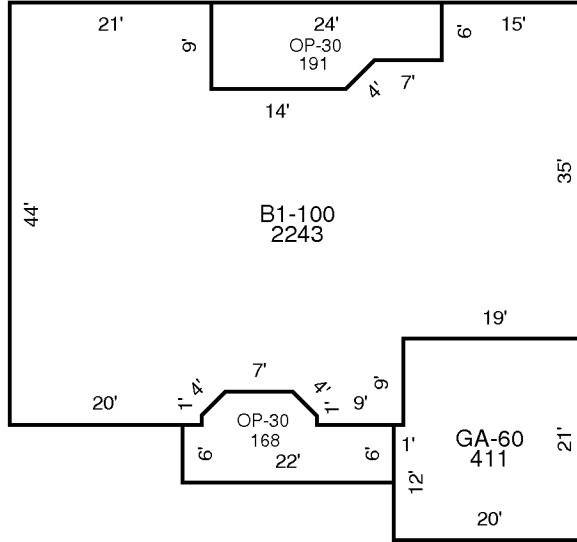
File No 2858294

SUBJECT

Property Address	28-37-07-81- -130		
City	W.MELBOURNE	County	BREVARD
		State	FL
Owner	MV0100552		
Client	Client Address 836 PREAKNESS DR		
Appraiser Name	JOHN T	Inspection Date	VIERA

8/31/2001

IMPROVEMENTS SKETCH



AREA CALCULATIONS

AREA CALCULATIONS SUMMARY

Code	Description	Factor	Net Size	Perimeter	Net Totals
B1	B1-100	1.00	2243	228	2243
GA7	GA-60	1.00	411	82	411
OP4	OP-30	1.00	168	60	
	OP-30	1.00	191	64	358