

# SKETCH/AREA TABLE ADDENDUM

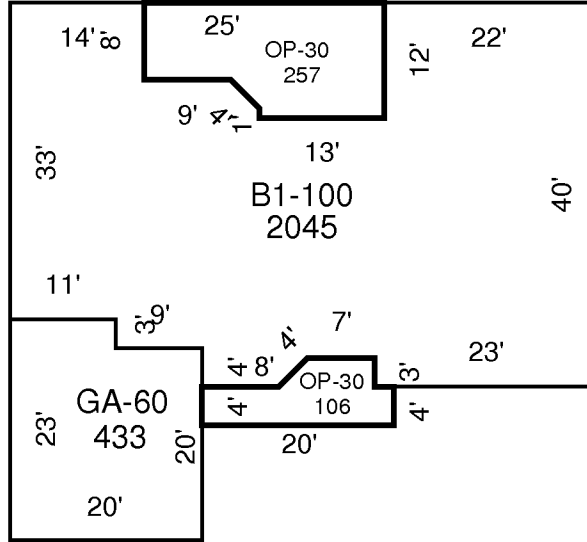
File No 2853572

SUBJECT

Property Address	28-37-09-36- -97		
City	MELBOURNE	County	BREVARD
		State	FL
Owner	9903628		
Client	Client Address 3213 forest creek dr		
Appraiser Name	JOHN T	Inspection Date	VIERA

IMPROVEMENTS SKETCH

10/27/99



AREA CALCULATIONS

## AREA CALCULATIONS SUMMARY

Code	Description	Factor	Net Size	Perimeter	Net Totals
B1	B1-100	1.00	2045	228	2045
GA7	GA-60	1.00	433	86	433
OP4	OP-30	1.00	106	52	
	OP-30	1.00	257	72	362