

SKETCH/AREA TABLE ADDENDUM

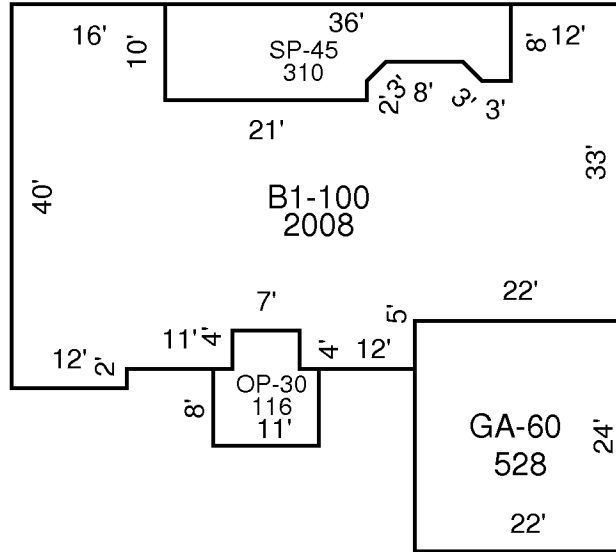
File No 2853563

SUBJECT

Property Address	28-37-09-36- -88		
City	MELBOURNE	County	BREVARD
		State	FL
Owner	MM0002404		
Client	Client Address 3124 FOREST CREEK DR		
Appraiser Name	JOHN T	Inspection Date	VIERA

8/3/2000

IMPROVEMENTS SKETCH



AREA CALCULATIONS

AREA CALCULATIONS SUMMARY

Code	Description	Factor	Net Size	Perimeter	Net Totals
B1	B1-100	1.00	2008	238	2008
GA7	GA-60	1.00	528	92	528
OP4	OP-30	1.00	116	46	116
SP5	SP-45	1.00	310	94	310