

# SKETCH/AREA TABLE ADDENDUM

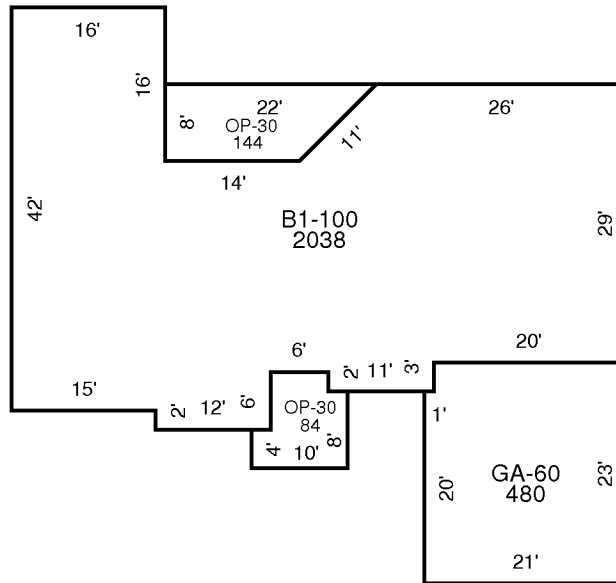
File No 2853513

SUBJECT

Property Address **28-37-09-36- -9**  
 City **MELBOURNE** County **BREVARD** State **FL** Zip  
 Owner **MM0200213**  
 Client Client Address **3120 FOREST CREEK DR**  
 Appraiser Name **JOHN T** Inspection Date **VIERA**

5/14/2002

IMPROVEMENTS SKETCH



AREA CALCULATIONS

## AREA CALCULATIONS SUMMARY

Code	Description	Factor	Net Size	Perimeter	Net Totals
B1	B1-100	1.00	2038	231	2038
GA7	GA-60	1.00	480	88	480
OP4	OP-30	1.00	84	40	
	OP-30	1.00	144	55	228