

SKETCH/AREA TABLE ADDENDUM

File No 2845416

SUBJECT

Property Address 28-37-34-FT-150-13

City PALM BAY

County BREVARD

State FL

Zip

Owner PB0006851

Client

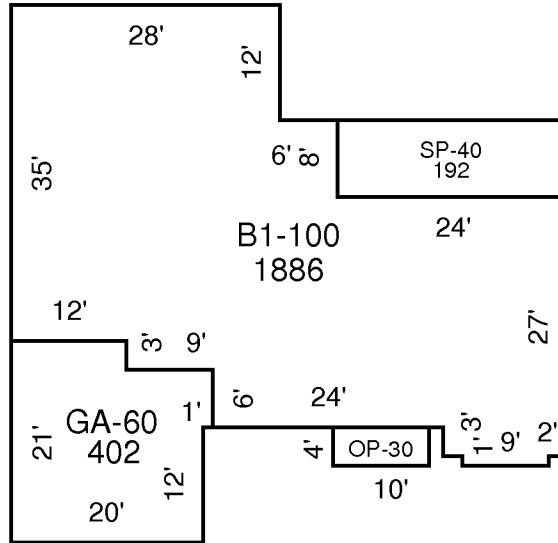
Client Address 438 BROOKDALE AV NE

Appraiser Name JOHN T

Inspection Date VIERA

11/8/2000

IMPROVEMENTS SKETCH



AREA CALCULATIONS

AREA CALCULATIONS SUMMARY

Code	Description	Factor	Net Size	Perimeter	Net Totals
B1	B1-100	1.00	1886	212	1886
GA7	GA-60	1.00	402	84	402
OP4	OP-30	1.00	40	28	40
SP4	SP-40	1.00	192	64	192