

SKETCH/AREA TABLE ADDENDUM

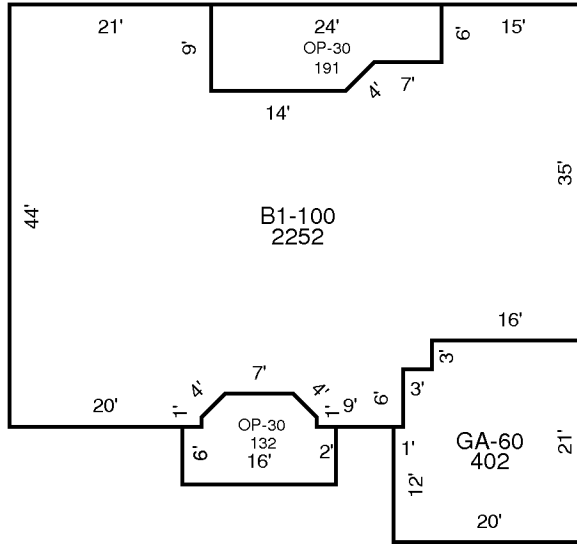
File No 2840180

SUBJECT

Property Address			
City	County BREVARD	State FL	Zip
Owner	05011384		
Client			
Appraiser Name	JOHN T	Inspection Date	VIERA

8/30/2005

IMPROVEMENTS SKETCH



AREA CALCULATIONS

AREA CALCULATIONS SUMMARY

Code	Description	Factor	Net Size	Perimeter	Net Totals
B1	B1-100	1.00	2252	228	2252
GA7	GA-60	1.00	402	82	402
OP6	OP-30	1.00	132	48	
	OP-30	1.00	191	64	322