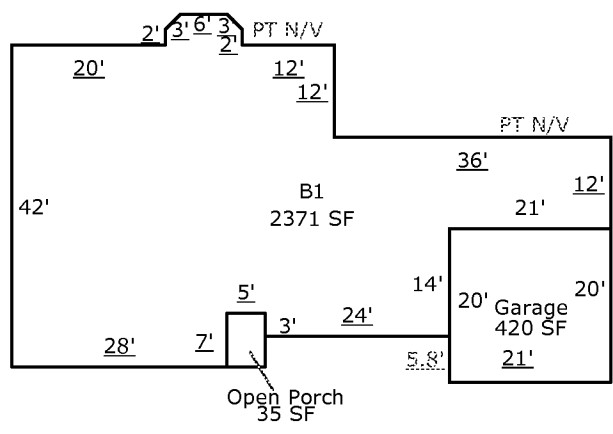


# SKETCH/AREA TABLE ADDENDUM

|         |                           |       |     |
|---------|---------------------------|-------|-----|
| SUBJECT | PARCEL ID <b>2837722</b>  |       |     |
|         | CITY                      | STATE | ZIP |
|         | PERMIT # <b>9/20/11</b>   |       |     |
|         | MARKET AREA               |       |     |
|         | APPRAISER NAME <b>PHK</b> |       |     |

IMPROVEMENTS SKETCH



Scale: 1" = 12'

AREA CALCULATIONS

### AREA CALCULATIONS SUMMARY

| Code | Description | Factor | Net Size | Perimeter | Net Totals |
|------|-------------|--------|----------|-----------|------------|
| B1   | B1          | 1.00   | 2371     | 252       | 2371       |
| GA   | Garage      | 1.00   | 420      | 82        | 420        |
| OP   | Open Porch  | 1.00   | 35       | 24        | 35         |

#### Comment Table 1

|  |
|--|
|  |
|--|

|                 |                 |
|-----------------|-----------------|
| Comment Table 2 | Comment Table 3 |
|-----------------|-----------------|

|  |  |
|--|--|
|  |  |
|--|--|