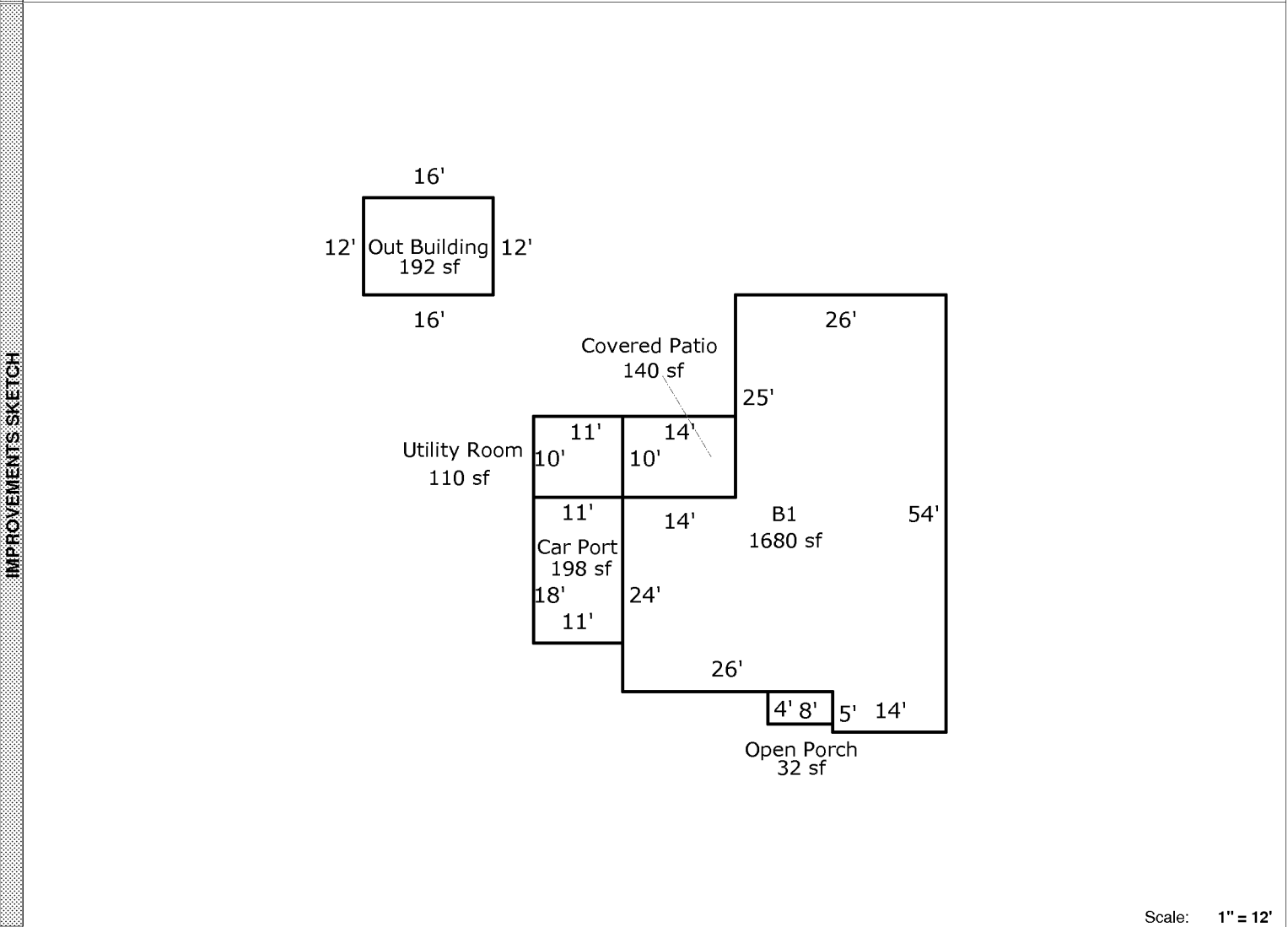


SKETCH/AREA TABLE ADDENDUM

SUBJECT	PARCEL ID 2833896		
	CITY	STATE	ZIP
	PERMIT # 9/16/11		
	MARKET AREA		
	APPRAISER NAME LPH		



Scale: 1" = 12'

AREA CALCULATIONS SUMMARY						Comment Table 1	
Code	Description	Factor	Net Size	Perimeter	Net Totals		
B1	B1	1.00	1680	188	1680		
OP	Open Porch	1.00	32	24	32		
UT	Utility Room	1.00	110	42	110		
CP	Car Port	1.00	198	58	198		
CVPRT	Covered Patio	1.00	140	48	140		
OBLD	Out Building	1.00	192	56	192		

Comment Table 2	Comment Table 3