

SKETCH/AREA TABLE ADDENDUM

Parcel No 3/6/09

File No 2736951

Property Address 27-37-13-51- -99

City MELBOURNE

County BREVARD

State FL

Zip 32901

Owner MM0001327

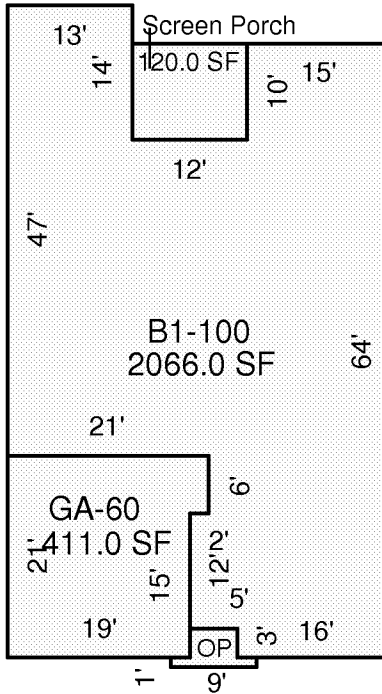
Client 20

Client Address 3092 JACOBAEUS LA

Appraiser Name PHK

Inspection Date PALM BAY

NO F/C ALL ESTIMATED W/PICTOMETRY



Scale: 1 = 20

AREA CALCULATIONS SUMMARY

Code	Description	Factor	Net Size	Perimeter	Net Totals
B1	B1-100	1.00	2066.0	240.0	2066.0
SP	Screen Porch	1.00	120.0	44.0	120.0
GA7	GA-60	1.00	411.0	84.0	411.0
OP4	OP-30	1.00	24.0	26.0	24.0

AREA CALCULATIONS