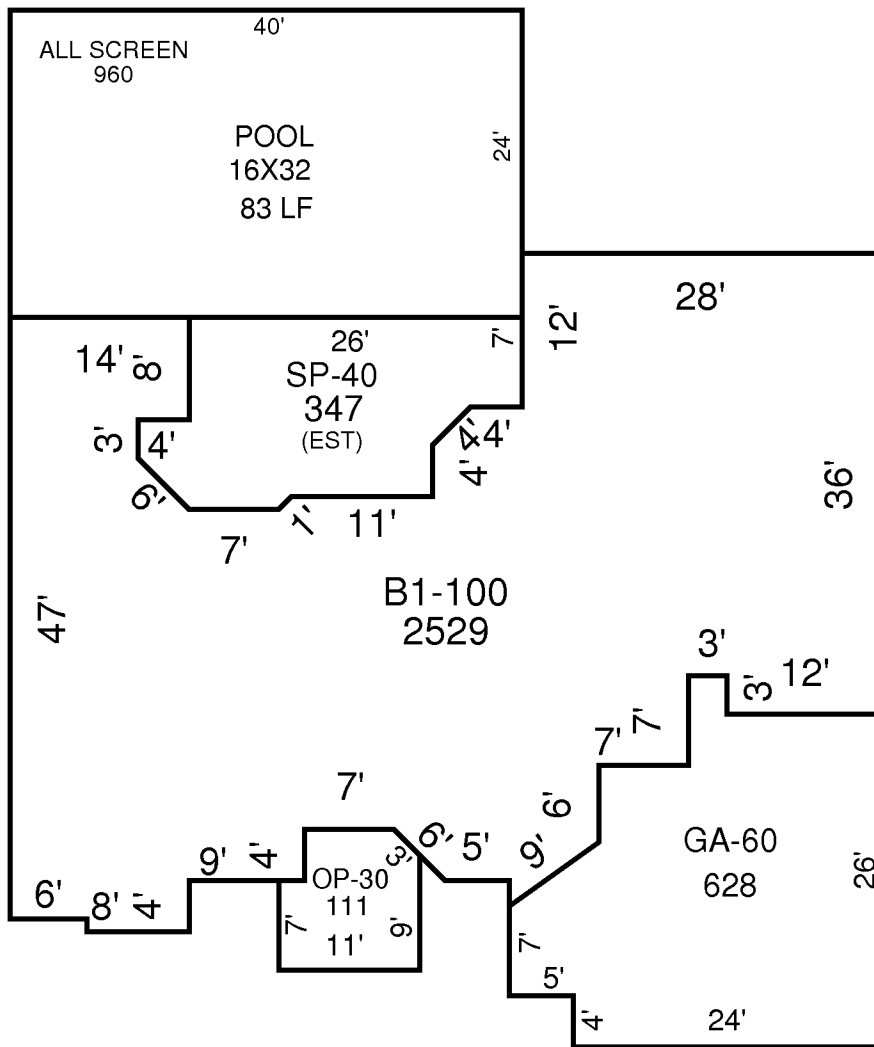


# SKETCH/AREA TABLE ADDENDUM

File No 2714754

SUBJECT	Property Address			
	City	County BREVARD	State FL	Zip
	Owner	MPOB02944		
	Client			
	Appraiser Name	THERESE LEDUC	Inspection Date	MELBOURNE



IMPROVEMENTS SKETCH

## AREA CALCULATIONS SUMMARY

Code	Description	Factor	Net Size	Perimeter	Net Totals
B1	B1-100	1.00	2529	288	2529
GA7	GA-60	1.00	628	113	628
OP4	OP-30	1.00	111	43	111
SP4	SP-40	1.00	347	85	347
ALSCN	ALL SCREEN	1.00	960	128	960

Comment Table 1	
Comment Table 2	Comment Table 3

AREA CALCULATIONS