

SKETCH/AREA TABLE ADDENDUM

Parcel No **09-30-04**

File No **2626333-1**

Property Address **26 362504 D 15**

City _____ County **Brevard** State **FL** Zip _____

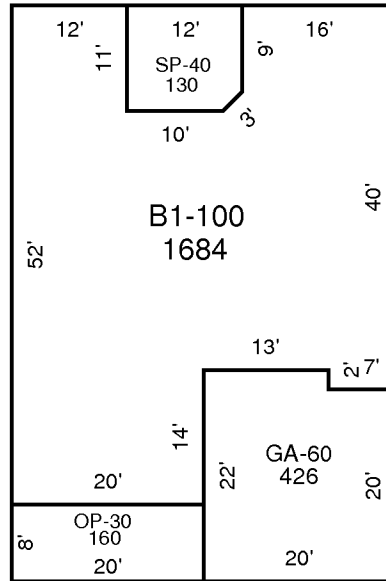
Owner **M0165981**

Client _____

Appraiser Name **Maria Becht** Inspection Date **Merritt Island**

SUBJECT

IMPROVEMENTS SKETCH



AREA CALCULATIONS

AREA CALCULATIONS SUMMARY

Code	Description	Factor	Net Size	Perimeter	Net Totals
B1	B1-100	1.00	1684	209	1684
GA7	GA-60	1.00	426	84	426
OP4	OP-30	1.00	160	56	160
SP4	SP-40	1.00	130	45	130

Comment Table 1

--	--

Comment Table 2

Comment Table 3

--	--