

SKETCH/AREA TABLE ADDENDUM

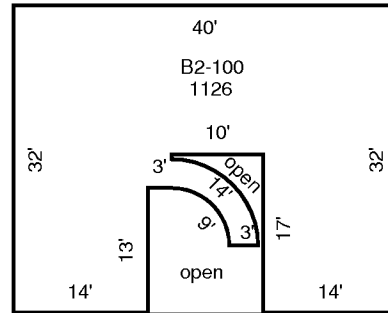
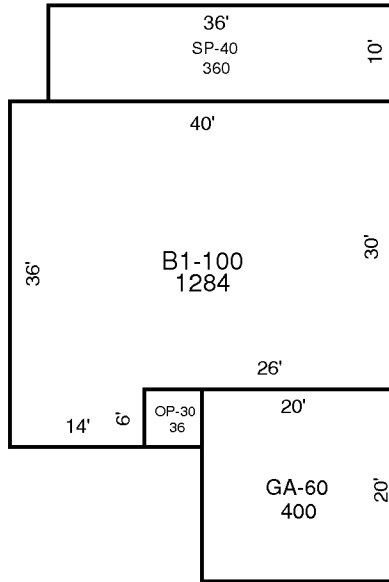
File No 2625044

SUBJECT

Property Address 26-36-26-75-BB-39	
City COUNTY	County BREVARD State FL Zip
Owner OC00123818	
Client	Client Address 5136 MANSFORD PL
Appraiser Name JOHN T	Inspection Date VIERA

6/12/2002

IMPROVEMENTS SKETCH



AREA CALCULATIONS

AREA CALCULATIONS SUMMARY

Code	Description	Factor	Net Size	Perimeter	Net Totals
B1	B1-100	1.00	1284	152	1284
B2	B2-100	1.00	1126	201	1126
GA7	GA-60	1.00	400	80	400
OP4	OP-30	1.00	36	24	36
SP4	SP-40	1.00	360	92	360
