

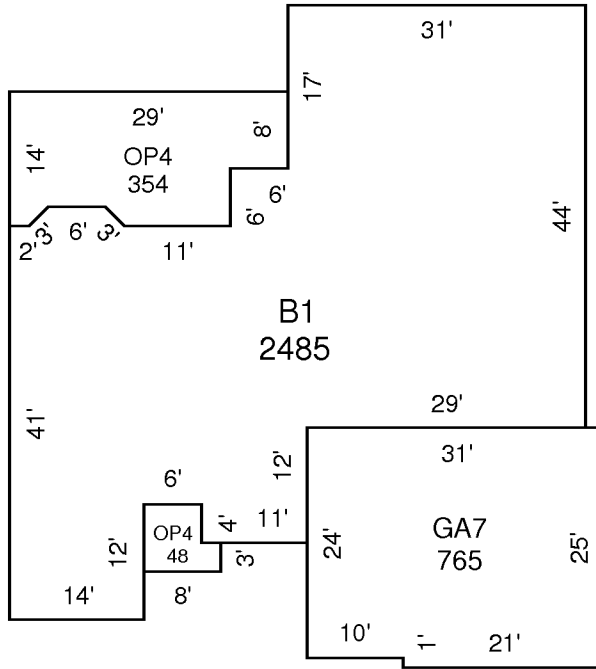
SKETCH/AREA TABLE ADDENDUM

File No 26250131

SUBJECT

Property Address 26-36-26-50-V-2			
City	County BREVARD	State	Zip
Owner SFR 10-31-02 MO135648 \$150,000			
Client	Client Address 4059 CHASTAIN DRIVE		
Appraiser Name GLENN LEGGE	Inspection Date VIERA (PERMITS)		

IMPROVEMENTS SKETCH



DRAWN: GNL 3-13-03

AREA CALCULATIONS

AREA CALCULATIONS SUMMARY

Code	Description	Factor	Net Size	Perimeter	Net Totals
B1	B1-100	1.00	2485	258	2485
GA7	GA-60	1.00	765	112	765
OP4	OP-30	1.00	48	30	
	OP-30	1.00	354	88	402