

SKETCH/AREA TABLE ADDENDUM

File No 26235301

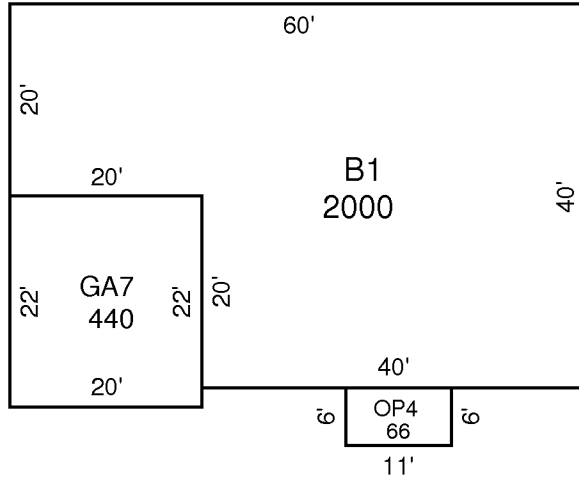
Property Address 26-36-25-75-D-10

City County BREVARD State FL Zip

Owner SFR 10-27-00 OCO104405 \$100,000

Client Client Address 5221 WILD CINNAMON DRIVE

Appraiser Name GLENN LEGGE Inspection Date VIERA, (PERMITS)



DRAWN: GNL 11-30-00

AREA CALCULATIONS SUMMARY

Code	Description	Factor	Net Size	Perimeter	Net Totals
B1	B1-100	1.00	2000	200	2000
GA7	GA-60	1.00	440	84	440
OP4	OP-30	1.00	66	34	66