

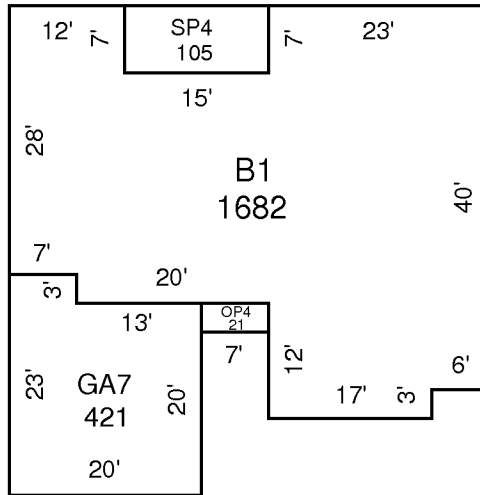
SKETCH/AREA TABLE ADDENDUM

File No 26161901

SUBJECT

Property Address 26-36-03-26-E-45			
City	County BREVARD	State	Zip
Owner SFR 10-14-02 MO133520 \$135,000			
Client	Client Address 1884 THESY DRIVE		
Appraiser Name GLENN LEGGE	Inspection Date VIERA (PERMITS)		

IMPROVEMENTS SKETCH



DRAWN: GNL 3-3-03

AREA CALCULATIONS

AREA CALCULATIONS SUMMARY

Code	Description	Factor	Net Size	Perimeter	Net Totals
B1	B1-100	1.00	1682	200	1682
GA7	GA-60	1.00	421	86	421
OP4	OP-30	1.00	21	20	21
SP4	SP-40	1.00	105	44	105