

SKETCH/AREA TABLE ADDENDUM

File No 2606908

Property Address 26 372280 7 49

City satellite bch

County Brevard

State FL

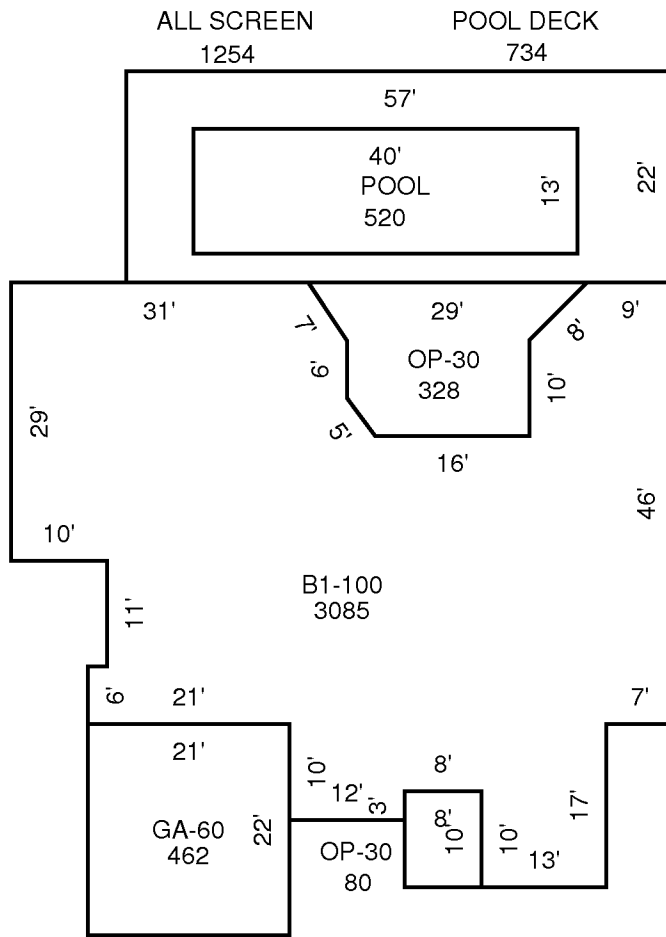
Zip

Owner

Client Client Address 154 LANTERNBACK ISLAND DR

Appraiser Name Juan Arboleda

Inspection Date Merritt Island



AREA CALCULATIONS SUMMARY

Code	Description	Factor	Net Size	Perimeter	Net Totals
B1	B1-100	1.00	3085	298	3085
GA7	GA-60	1.00	462	86	462
OP4	OP-30	1.00	80	36	
	OP-30	1.00	328	82	408
ALSCN	ALL SCREEN	1.00	1254	158	1254
PDECK	POOL DECK	1.00	734	158	734
POOL	POOL	1.00	520	106	520

Comment Table 1

Comment Table 2

Comment Table 3