

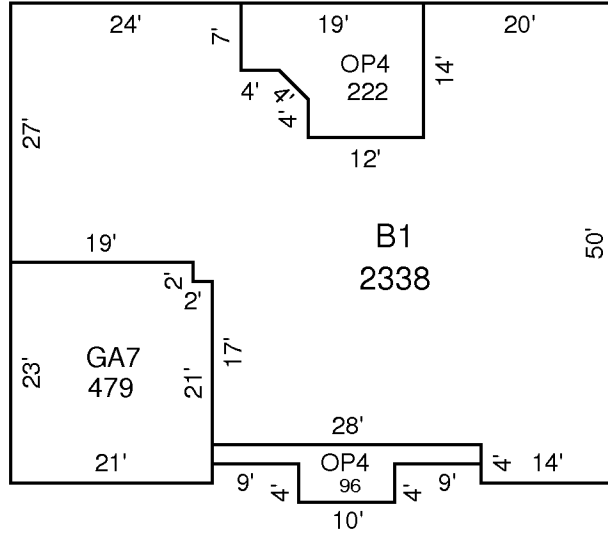
# SKETCH/AREA TABLE ADDENDUM

File No 2508015

SUBJECT

Property Address <b>25-36-13-OQ 38</b>	County <b>BREVARD</b>	State <b>FL</b>	Zip <b>32952</b>
City <b>MERRITT ISLAND</b>			
Owner			
Client <b>19</b>		Client Address <b>845 INLET WAY</b>	
Appraiser Name <b>M17 DRAW / M10 FIELD</b>		Inspection Date <b>MI</b>	

IMPROVEMENTS SKETCH



AREA CALCULATIONS

### AREA CALCULATIONS SUMMARY

Code	Description	Factor	Net Size	Perimeter	Net Totals
B1	B1-100	1.00	2338	252	2338
GA7	GA-60	1.00	479	88	479
OP4	OP-30	1.00	96	68	
	OP-30	1.00	222	64	317