

# SKETCH/AREA TABLE ADDENDUM

File No 2506411

Property Address 25 360952 11

City ROCKLEDGE

County Brevard

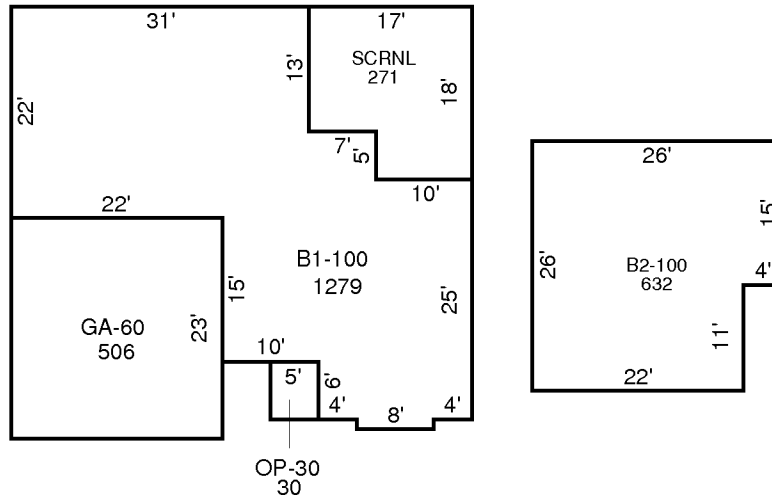
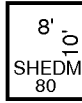
State FL

Zip

Owner

Client Client Address 910 YORKTOWNE DR

Appraiser Name JAKE BELGE Inspection Date MERRITT ISLAND



## AREA CALCULATIONS SUMMARY

Code	Description	Factor	Net Size	Perimeter	Net Totals
B1	B1-100	1.00	1279	184	1279
B2	B2-100	1.00	632	104	632
GA7	GA-60	1.00	506	90	506
OP4	OP-30	1.00	30	22	30
MSHED	SHEDM	1.00	80	36	80
SCREEN	ENSCRNL	1.00	271	70	271

## Comment Table 1

## Comment Table 2

## Comment Table 3