

SKETCH/AREA TABLE ADDENDUM

File No 24560081

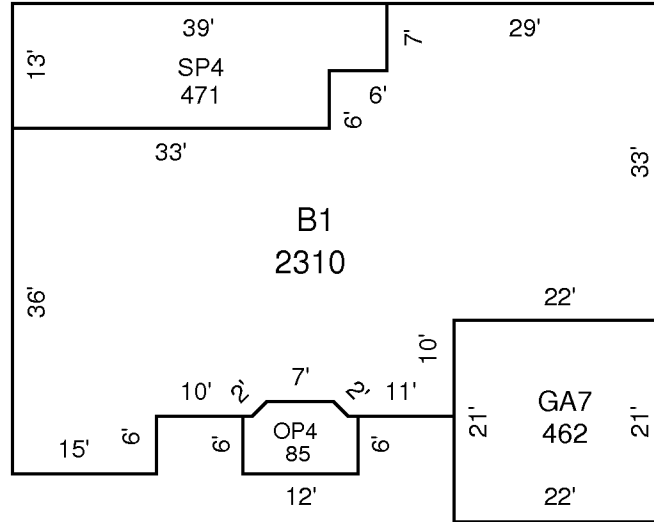
Property Address 24-36-08-00-559

City County **BREVARD** State Zip

Owner **SFR 6-3-02 MO128618 \$172,860**

Client Client Address **165 CITY POINT ROAD**

Appraiser Name **GLENN LEGGE** Inspection Date **VIERA (PERMITS)**



DRAWN: GNL 11-12-02

AREA CALCULATIONS SUMMARY

Code	Description	Factor	Net Size	Perimeter	Net Totals
B1	B1-100	1.00	2310	235	2310
GA7	GA-60	1.00	462	86	462
OP4	OP-30	1.00	85	37	85
SP4	SP-40	1.00	471	104	471