

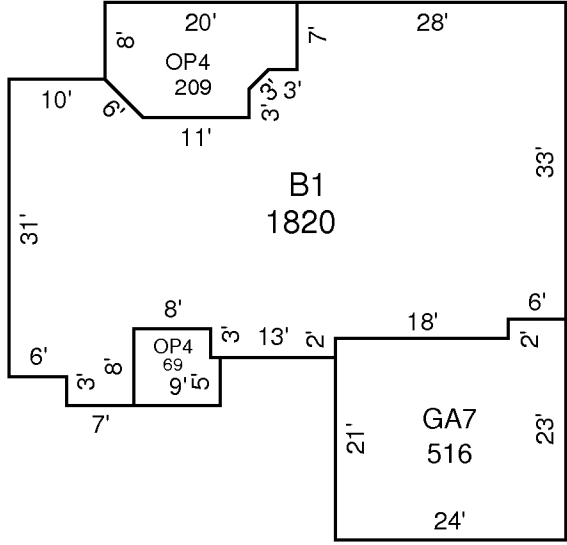
SKETCH/AREA TABLE ADDENDUM

File No 24433581

SUBJECT

Property Address	24-36-10-07-C-7		
City	County	BREVARD	State FL Zip
Owner	SFR 7-7-00 OCOO99935 \$110,000		
Client	Client Address 3271 BISCAYNE DRIVE		
Appraiser Name	GLENN LEGGE	Inspection Date	VIERA, (PERMITS)

IMPROVEMENTS SKETCH



DRAWN: GNL 8-29-00

AREA CALCULATIONS

AREA CALCULATIONS SUMMARY

Code	Description	Factor	Net Size	Perimeter	Net Totals
B1	B1-100	1.00	1820	210	1820
GA7	GA-60	1.00	516	94	516
OP4	OP-30	1.00	69	34	
	OP-30	1.00	209	60	278