

SKETCH/AREA TABLE ADDENDUM

File No 2440759

Property Address 24 37 35 CJ 22 9

City COCOA BEACH

County Brevard

State FL

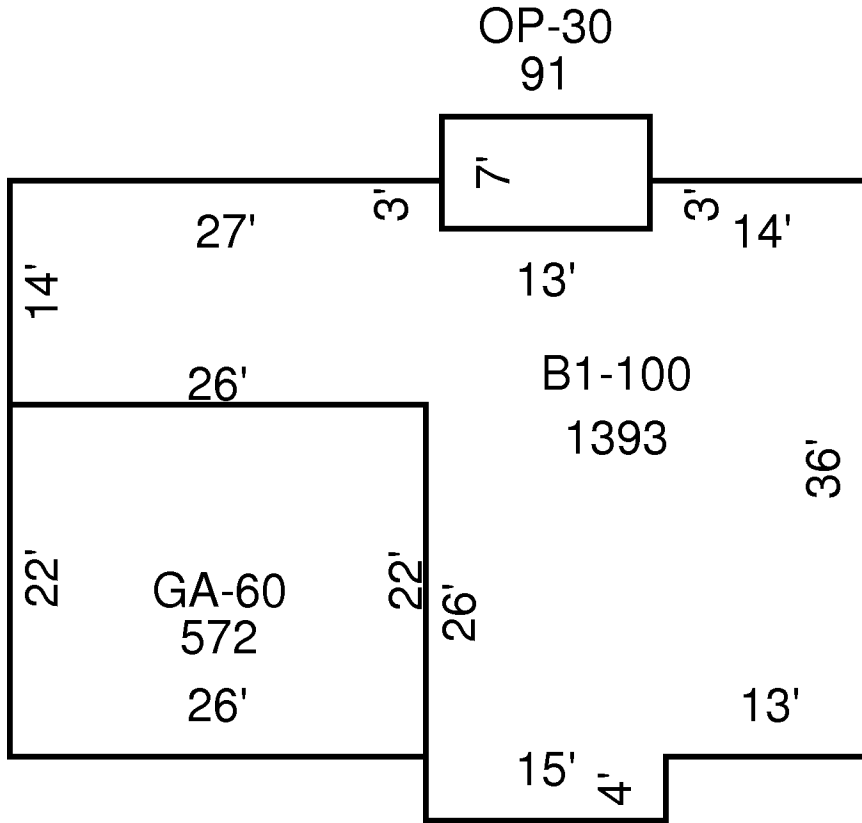
Zip

Owner

Client Client Address 104 GADSDEN LA E

Appraiser Name PEDRO P ALFAYA Inspection Date MERRITT ISLAND

01/19/2005
PDC 1
FIELD EV: PPA
RE: 2440759



AREA CALCULATIONS SUMMARY

Code	Description	Factor	Net Size	Perimeter	Net Totals
B1	B1-100	1.00	1393	194	1393
GA7	GA-60	1.00	572	96	572
OP4	OP-30	1.00	91	40	91

Comment Table 1

Comment Table 2

Comment Table 3