

SKETCH/AREA TABLE ADDENDUM

File No 2440745

SUBJECT

Property Address 243735CI 21 12

City COCOA BEACH

County Brevard

State FL

Zip 32931

Owner

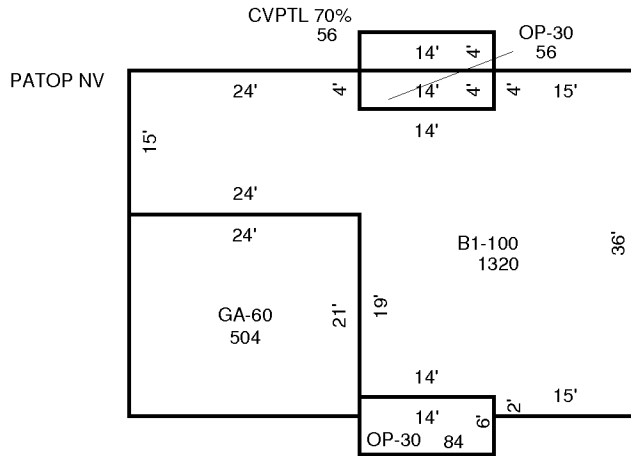
Client 17

Client Address 124 SUWANNEE LN

Appraiser Name M 17 DRAW / M15 FIELD

Inspection Date MI

IMPROVEMENTS SKETCH



AREA CALCULATIONS

AREA CALCULATIONS SUMMARY

Code	Description	Factor	Net Size	Perimeter	Net Totals
B1	B1-100	1.00	1320	186	1320
GA7	GA-60	1.00	504	90	504
OP4	OP-30	1.00	84	40	
	OP-30	1.00	56	36	140
PT	CVPTL 70%	1.00	56	36	56

Comment Table 1

--	--

Comment Table 2

Comment Table 3

--	--