

SKETCH/AREA TABLE ADDENDUM

File No 2432642

Property Address 24-37-19-76-00-8

City MERRITT ISLAND

County Brevard

State FL

Zip 32952

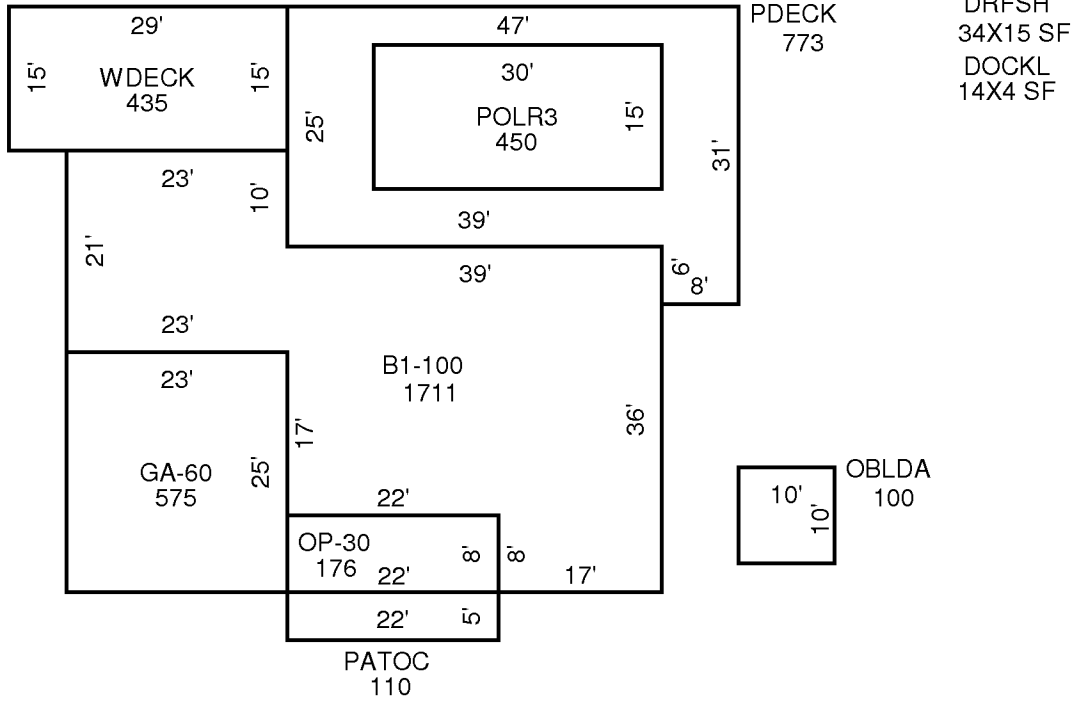
Owner

Client 16

Client Address 1724 SHORE DR

Appraiser Name Beau Sheridan

Inspection Date Merritt Island



AREA CALCULATIONS SUMMARY

Code	Description	Factor	Net Size	Perimeter	Net Totals
B1	B1-100	1.00	1711	216	1711
GA7	GA-60	1.00	575	96	575
OP4	OP-30	1.00	176	60	176
PT	PATOC	1.00	110	54	110
OBLDG	OBLDA	1.00	100	40	100
PDECK	PDECK	1.00	773	156	773
POOL	POLR3	1.00	450	90	450
WDECK	WDECK	1.00	435	88	435

Comment Table 1

--	--

Comment Table 2

Comment Table 3

--	--