

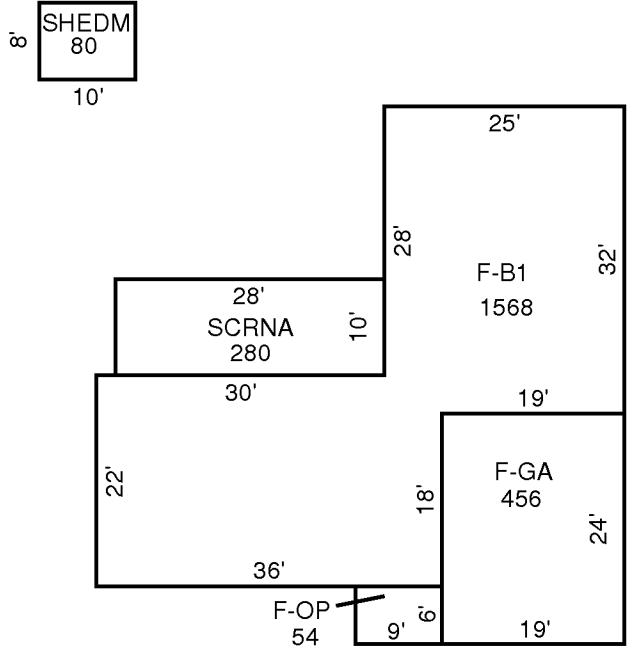
# SKETCH/AREA TABLE ADDENDUM

File No 2431468

SUBJECT

|                  |                      |                 |                    |       |    |     |  |
|------------------|----------------------|-----------------|--------------------|-------|----|-----|--|
| Property Address | 24 37 18 51 A 5      | County          | Brevard            | State | FL | Zip |  |
| City             | MERRITT ISL          |                 |                    |       |    |     |  |
| Owner            |                      |                 |                    |       |    |     |  |
| Client           |                      | Client Address  | 1930 FARRINGTON DR |       |    |     |  |
| Appraiser Name   | JED ILLIG & MANATRON | Inspection Date | MERRITT ISLAND     |       |    |     |  |

IMPROVEMENTS SKETCH



AREA CALCULATIONS

| AREA CALCULATIONS SUMMARY |             |        |          |           |            |
|---------------------------|-------------|--------|----------|-----------|------------|
| Code                      | Description | Factor | Net Size | Perimeter | Net Totals |
| B1                        | F-B1        | 1.00   | 1568     | 210       | 1568       |
| GA7                       | F-GA        | 1.00   | 456      | 86        | 456        |
| OP4                       | F-OP        | 1.00   | 54       | 30        | 54         |
| SCREEN                    | EMCRNA      | 1.00   | 280      | 76        | 280        |
| SHEDS                     | SHEDM       | 1.00   | 80       | 36        | 80         |

|                 |                 |
|-----------------|-----------------|
| Comment Table 1 |                 |
| Comment Table 2 | Comment Table 3 |