

# SKETCH/AREA TABLE ADDENDUM

Parcel No 2-14-05

File No 2417741-1

Property Address 24 362302 C 1.A

City \_\_\_\_\_ County **Brevard** State **FL** Zip \_\_\_\_\_

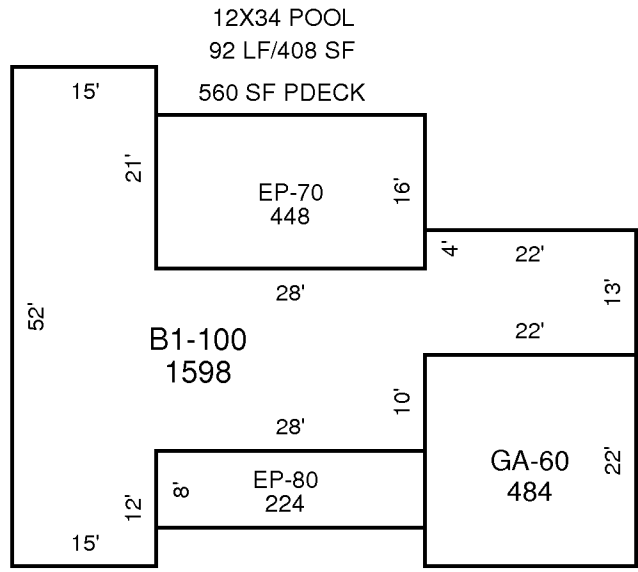
Owner \_\_\_\_\_

Client \_\_\_\_\_

Appraiser Name **Maria Becht** Inspection Date **Viera**

SUBJECT

IMPROVEMENTS SKETCH



AREA CALCULATIONS

### AREA CALCULATIONS SUMMARY

Code	Description	Factor	Net Size	Perimeter	Net Totals
B1	B1-100	1.00	1598	242	1598
GA7	GA-60	1.00	484	88	484
EP4	EP-70	1.00	448	88	448
EP5	EP-80	1.00	224	72	224

### Comment Table 1

--	--

### Comment Table 2

### Comment Table 3

--	--