

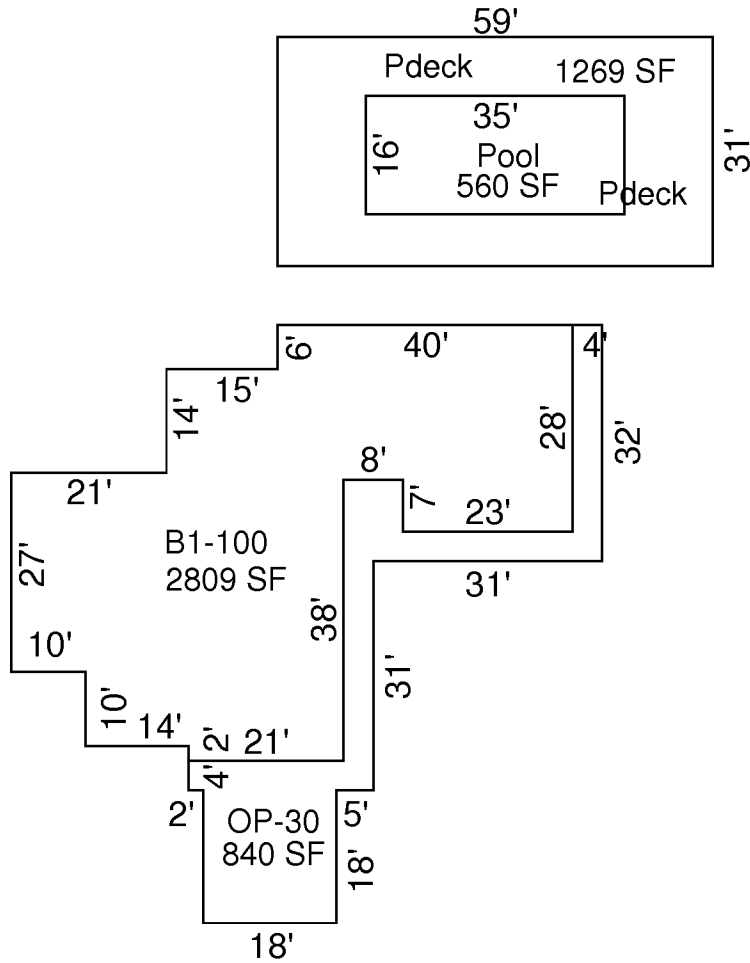
SKETCH/AREA TABLE ADDENDUM

File No 24139801

SUBJECT

Property Address			
City	County Brevard	State FL	Zip
Owner			
Client			
Appraiser Name BDC	Inspection Date Viera		

IMPROVEMENTS SKETCH



AREA CALCULATIONS

AREA CALCULATIONS SUMMARY

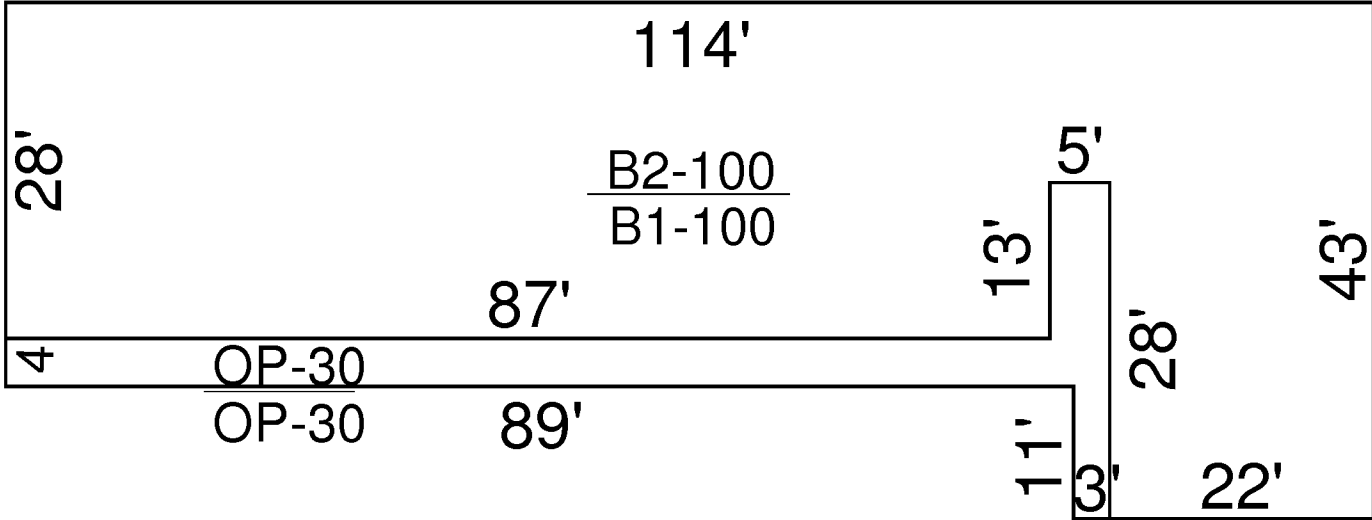
Code	Description	Factor	Net Size	Perimeter	Net Totals
B1	B1-100	1.00	2809	284	2809
OP4	OP-30	1.00	840	288	840
PDECK	Pdeck	1.00	1829	180	
	Pdeck	1.00	-560	102	1269
POOLS	Pool	1.00	560	102	560

SKETCH/AREA TABLE ADDENDUM

File No 24139801

SUBJECT	Property Address		
	City	County Brevard	State FL
	Owner		
	Client		
	Appraiser Name BDC	Inspection Date Viera	

IMPROVEMENTS SKETCH



AREA CALCULATIONS

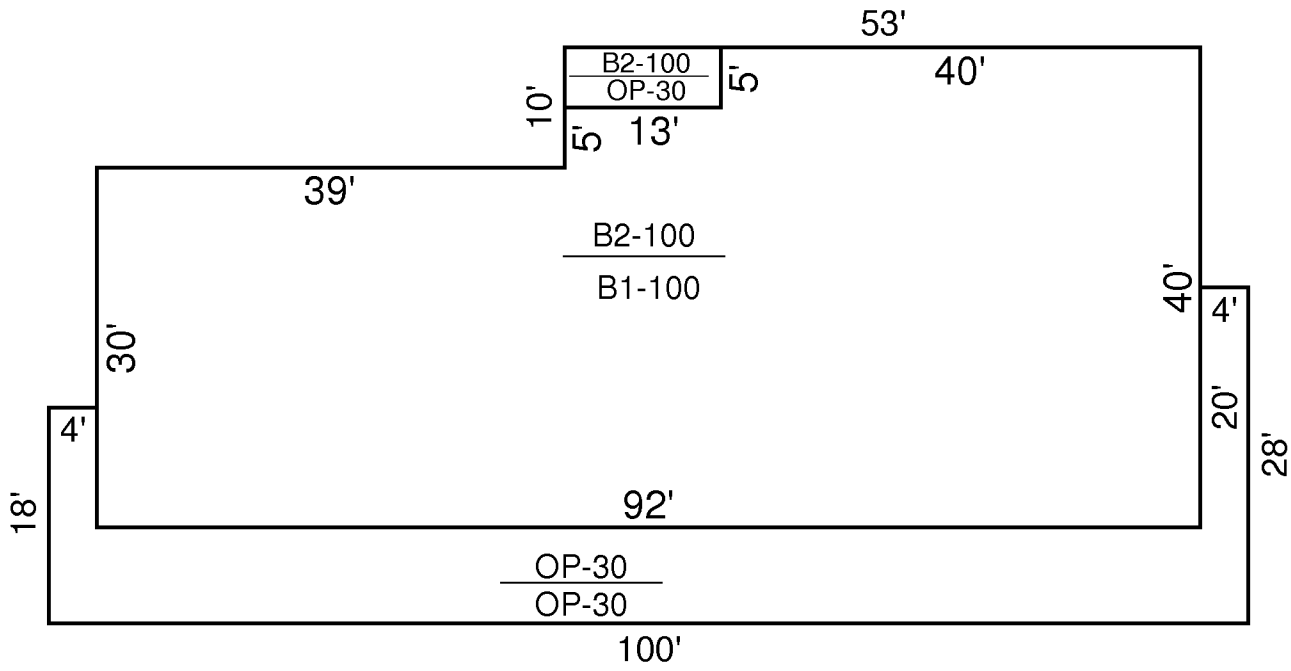
AREA CALCULATIONS SUMMARY					
Code	Description	Factor	Net Size	Perimeter	Net Totals
B1	B1-100	1.00	3457	340	3457
B2	B2-100	1.00	3457	340	3457
OP4	OP-30	1.00	466	240	
	OP-30	1.00	466	240	932

SKETCH/AREA TABLE ADDENDUM

File No 24139801

SUBJECT	Property Address		
	City	County Brevard	State FL
	Owner		Zip
	Client		
	Appraiser Name BDC	Inspection Date Viera	

IMPROVEMENTS SKETCH



AREA CALCULATIONS

AREA CALCULATIONS SUMMARY					
Code	Description	Factor	Net Size	Perimeter	Net Totals
B1	B1-100	1.00	3225	264	3225
B2	B2-100	1.00	3290	264	3290
OP4	OP-30	1.00	920	276	
	OP-30	1.00	920	276	
	OP-30	1.00	65	36	1905

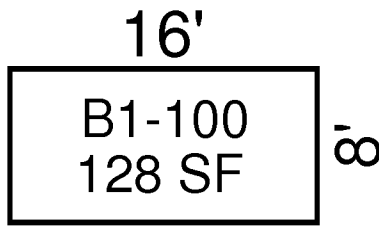
SKETCH/AREA TABLE ADDENDUM

File No 24139801

SUBJECT

Property Address			
City	County Brevard	State FL	Zip
Owner			
Client			
Appraiser Name BDC	Inspection Date Viera		

IMPROVEMENTS SKETCH



AREA CALCULATIONS

AREA CALCULATIONS SUMMARY					
Code	Description	Factor	Net Size	Perimeter	Net Totals
B1	B1-100	1.00	128	48	128
