

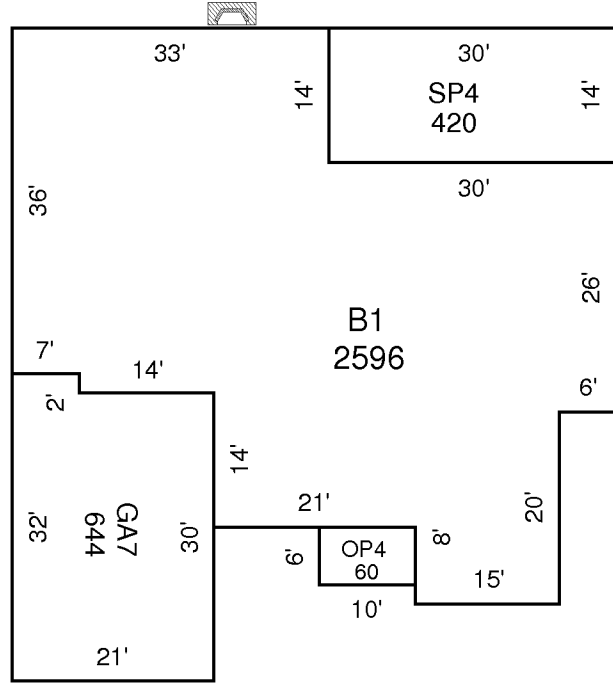
SKETCH/AREA TABLE ADDENDUM

File No 24038741

SUBJECT

Property Address	24-35-11-01-3-22		
City	County	BREVARD	State
Owner	SFR 3-12-02 CO124418 \$160,000		
Client	Client Address 3382 TARRAGON STREET		
Appraiser Name	GLENN LEGGE	Inspection Date	VIERA (PERMITS)

IMPROVEMENTS SKETCH



DRAWN: GNL 8-8-02

AREA CALCULATIONS

AREA CALCULATIONS SUMMARY

Code	Description	Factor	Net Size	Perimeter	Net Totals
B1	B1-100	1.00	2596	246	2596
GA7	GA-60	1.00	644	106	644
OP4	OP-30	1.00	60	32	60
SP4	SP-40	1.00	420	88	420