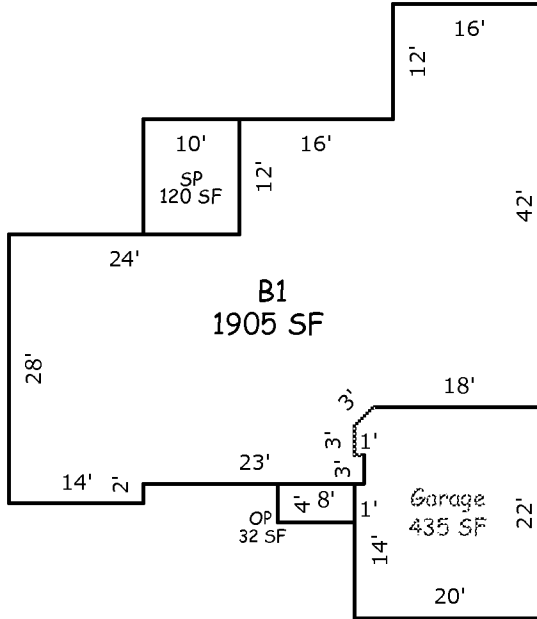


SKETCH/AREA TABLE ADDENDUM

SUBJECT	PARCEL ID 23 3521JX 195 30	CITY COCOA	COUNTY BREVARD	STATE FL	ZIP 32927
	PERMIT # NONE				
	MARKET AREA 04	ADDRESS 6210 CORSICA BLVD			
	APPRAISER NAME MAB	BRANCH OFFICE VIERA			

IMPROVEMENTS SKETCH



Scale: 1 = 20

AREA CALCULATIONS

AREA CALCULATIONS SUMMARY

Code	Description	Factor	Net Size	Perimeter	Net Totals
B1	B1	1.00	1905	217	1905
GA	Garage	1.00	435	85	435
OP	OP	1.00	32	24	32
SP	SP	1.00	120	44	120

Comment Table 1

--	--

Comment Table 2

Comment Table 3

--	--