

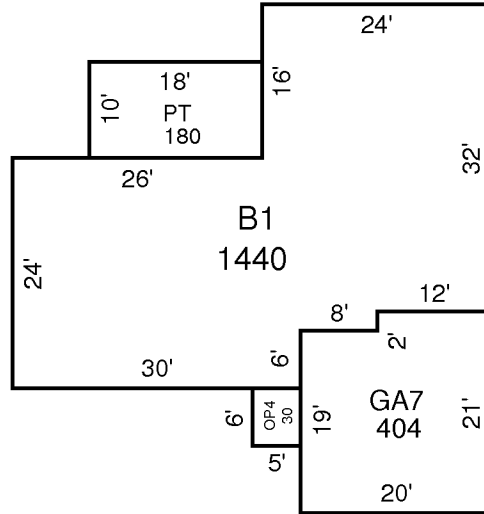
SKETCH/AREA TABLE ADDENDUM

File No 23064670

SUBJECT

| | | |
|------------------|---------------------------------------|---------------------------------|
| Property Address | 23-35-21-JX-193-9 | |
| City | State | Zip |
| Owner | SFR 9-8-99 OCOO76645 \$70,000 4-16-99 | |
| Client | Client Address 6205 BANYAN STREET | |
| Appraiser Name | GLENN LEGGE | Inspection Date VIERA (PERMITS) |

IMPROVEMENTS SKETCH



DRAWN: GNL 9-24-99

AREA CALCULATIONS

AREA CALCULATIONS SUMMARY

| Code | Description | Factor | Net Size | Perimeter | Net Totals |
|------|-------------|--------|----------|-----------|------------|
| B1 | B1-100 | 1.00 | 1440 | 180 | 1440 |
| GA7 | GA-60 | 1.00 | 404 | 82 | 404 |
| OP4 | OP-30 | 1.00 | 30 | 22 | 30 |
| PT | PT-05 | 1.00 | 180 | 56 | 180 |