

# SKETCH/AREA TABLE ADDENDUM

Parcel No 2/6/06

File No 2104761

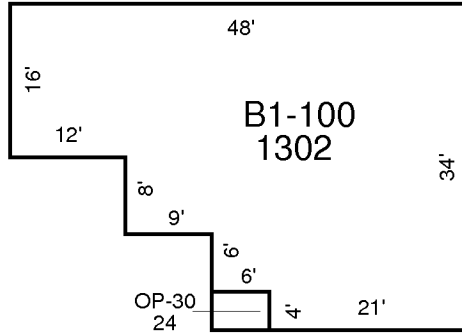
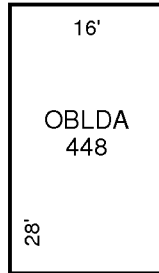
Property Address

City County **Brevard** State **FL** Zip

Owner

Client Client Address **2920 NICHOLS RD**

Appraiser Name **THERESE LEDUC** Inspection Date **VIERA**



### AREA CALCULATIONS SUMMARY

Code	Description	Factor	Net Size	Perimeter	Net Totals
B1	B1-100	1.00	1302	164	1302
OP4	OP-30	1.00	24	20	24
OBLDG	OBLDA	1.00	448	88	448

#### Comment Table 1

--	--

#### Comment Table 2

#### Comment Table 3

--	--